

GEM 50 ES-2RS

Radial spherical plain bearings

Bearing data

[Tolerances,](#)

[Radial internal clearance](#)

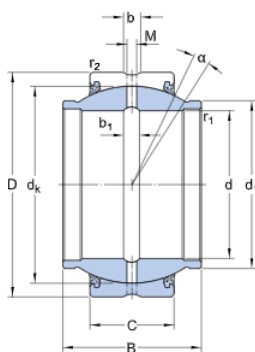
[Radial location of bearings](#)

[Recommended fits](#)

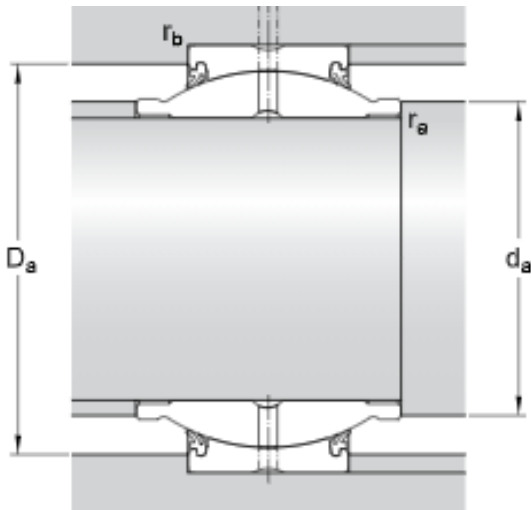
Technical specification

Lubricant	Regular relubrication – grease
Design (sliding contact surface combination)	Steel/steel
Sealing solution	Double-lip seals

DIMENSIONS



d	50 mm	Bore diameter
D	75 mm	Outside diameter
B	43 mm	Nominal width
C	28 mm	Width outer ring
α	4 °	Angle of tilt
dk	66 mm	Raceway diameter inner ring
d1	≈57 mm	Shoulder diameter cylindrical extension inner ring
b	4.6 mm	Width annular lubrication groove at outer ring
b1	4.8 mm	Width annular lubrication groove at inner ring
M	3 mm	Diameter lubrication hole (outer ring)
	min.0.6	Chamfer



r1	mm	dimension bore
r2	min.1 mm	Chamfer dimension outer ring

ABUTMENT DIMENSIONS

da	min.54.8 mm	Abutment diameter shaft
da	max.57 mm	Abutment diameter shaft
Da	min.66.2 mm	Abutment diameter housing
Da	max.70.5 mm	Abutment diameter housing
ra	max.0.6 mm	Fillet radius shaft
rb	max.1 mm	Fillet radius housing

CALCULATION DATA

Basic dynamic load rating	C	156 kN
Basic static load rating	C_0	780 kN
Specific dynamic load factor	K	100 N/mm
Specific static load factor	K_0	500 N/mm
Material constant	K_M	330

MASS

Mass plain bearing	0.6 kg
--------------------	--------

More information

Product details	Product details	Engineering information	Engineering information	Tools	Tools
Designs and variants Bearing data	Designs and variants Bearing data	Principles of selection and application	Principles of selection and application	SKF Bearing Calculator Heater selection tool	SKF Bearing Calculator Heater selection tool

Terms and conditions

By accessing and using this website / app owned and published by AB SKF (publ.) (556007-3495 · Gothenburg) ("SKF"), you agree to the following terms and conditions:

Warranty Disclaimer and Limitation of Liability

Although every care has been taken to assure the accuracy of the information on this website / app, SKF provides this information "AS IS" and DISCLAIMS ALL WARRANTIES, EXPRESS OR IMPLIED, INCLUDING, BUT NOT LIMITED TO, IMPLIED WARRANTIES OF MERCHANTABILITY AND FITNESS FOR A PARTICULAR PURPOSE. You acknowledge that your use of this website / app is at your sole risk, that you assume full responsibility for all costs associated with use of this website / app, and that SKF shall not be liable for any direct, incidental, consequential, or indirect damages of any kind arising out of your access to, or use of the information or software made available on this website / app. Any warranties and representations in this website / app for SKF products or services that you purchase or use will be subject to the agreed upon terms and conditions in the contract for such product or service. Further, for non-SKF websites / apps that are referenced in our website / app or where a hyperlink appears, SKF makes no warranties concerning the accuracy or reliability of the information in these websites / apps and assumes no responsibility for material created or published by third parties contained therein. In addition, SKF does not warrant that this website / app or these other linked websites / apps are free from viruses or other harmful elements.

Copyright

Copyright in this website / app copyright of the information and software made available on this website / app rest with SKF or its licensors. All rights are reserved. All licensed material will reference the licensor that has granted SKF the right to use the material. The information and software made available on this website / app may not be reproduced, duplicated, copied, transferred, distributed, stored, modified, downloaded or otherwise exploited for any commercial use without the prior written approval of SKF. However, it may be reproduced, stored and downloaded for use by individuals without prior written approval of SKF. Under no circumstances may this information or software be supplied to third parties.

This website /app includes certain images used under license from Shutterstock, Inc.

Trademarks and Patents

All trademarks, brand names, and corporate logos displayed on the website / app are the property of SKF or its licensors, and may not be used in any way without prior written approval by SKF. All licensed trademarks published on this website / app reference the licensor that has granted SKF the right to use the trademark. Access to this website / app does not grant to the user any license under any patents owned by or licensed to SKF.

Changes

SKF reserves the right to make changes or additions to this website / app at any time.